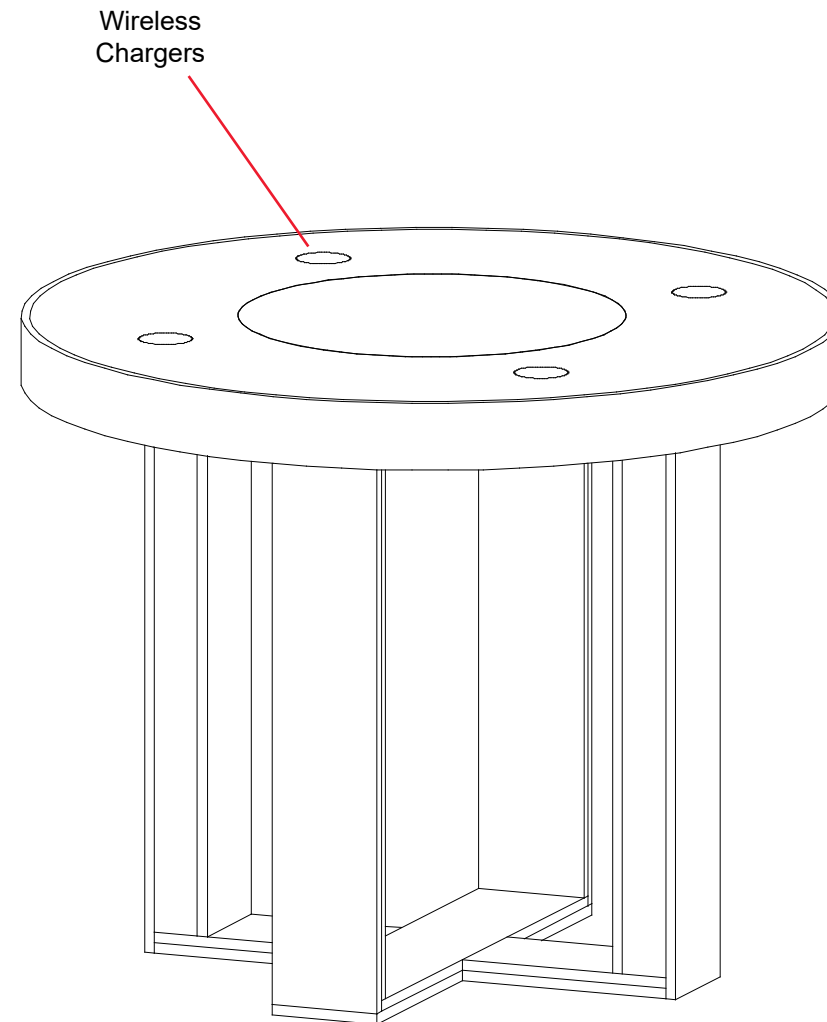


Steps:

- 1) Connect power to wireless chargers.



***SETUP INSTRUCTIONS***